



LED MKII Marker Board & Possession Limit Board

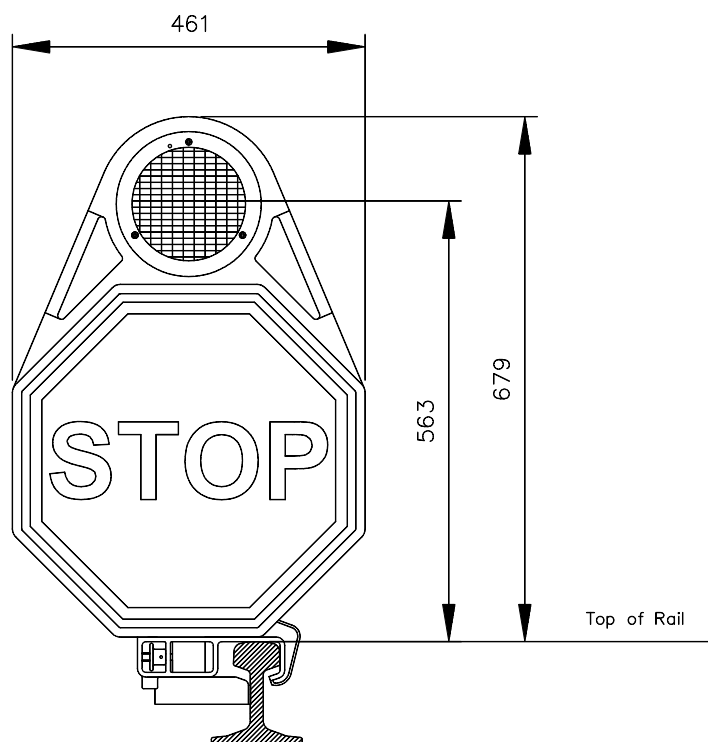


The Unipart Dorman LED MKI I Marker Board and the LED Possession Limit Board are fully Network Rail approved.

- High intensity bi-directional LED illumination
- Lightweight portable designs with integral carry handles
- Integral rail mounting devices made from impact resistant polycarbonate
- A LED low battery LED indicator
- Supplied with two 50Ahr Air Alkaline batteries
- Battery box secured with thief proof bolts
- Stainless steel battery connections
- Quick and easy to install

LED Possession Limit Board

- Incorporates high intensity red flashing LEDs on both sides - alternative colours can be specified
- The retro-reflective red stop decal on each side is recessed into the sign to protect it's surface
- The LED low battery indicator is a separate LED that goes from flash to steady when the batteries need replacing
- The battery box is secured with a thief proof bolt
- Battery life of the LED Possession Limit Board is approximately 2200 hours



Network Rail Acceptance No:

PA05/308

PADS No:

LED Possession Limit Board

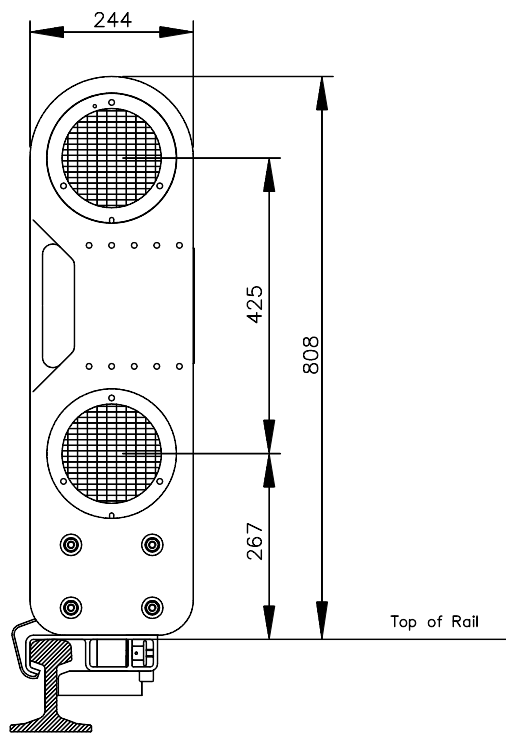
0057/072990

50 Ahr Alkaline Battery (12 per box)

0054/128366

LED MKII Marker Board

- Uses high intensity flashing LEDs that are yellow on one side and red on the other side - or any combination can be specified
- The battery box is secured with thief proof bolts and the battery connections are made of stainless steel for corrosion resistance
- The LED low battery indicator is a separate LED that goes from flash to steady when the batteries need replacing
- The unit is constructed of High Density Polyethylene to make it very robust and lightweight
- The battery life of the LED MKI I Marker Board is approximately 1100 hours



Network Rail Acceptance No:

PA05/292

PADS No:

LED MKI I Marker Board

0020/039502

50 Ahr Alkaline Battery (12 per box)

0054/128366

About Unipart

The Unipart Group is a leading UK manufacturer, full service logistics provider and consultant in operational excellence. Operating across a range of market sectors, including automotive, manufacturing, mobile telecoms, rail, retail and technology, Unipart offers a breadth of services to a wide range of blue chip clients internationally.

Unipart Dorman

Wennington Road, Southport,
Merseyside, PR9 7TN

Tel: +44 (0) 1704 518000

Fax: +44 (0) 1704 518001

email: dorman.enquiries@unipartdorman.co.uk

www.unipartdorman.co.uk



Our products are distributed through Unipart Rail
Visit www.unipartrail.com for details