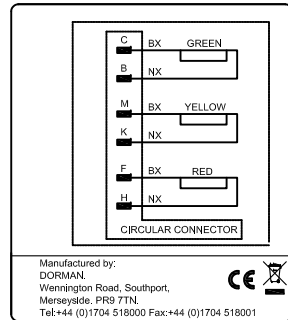


NOTES:-

1. ALL ALUMINIUM COMPONENTS PAINTED ALL OVER WITH:  
ONE COAT OF TRANSPARENT TWO PACK ETCH PRIMER 101  
FOLLOWED BY :  
ONE COAT OF BLACK MICACEOUS IRON OXIDE.  
BR SPEC No. 70 ITEM 30. (FORWARD FACING PARTS)  
ONE COAT OF LIGHT GREY MICACEOUS IRON OXIDE.  
BR SPEC No. 70 ITEM 27A. (REAR FACING PARTS)
2. WIRING DIAGRAM AND A DOCUMENT WALLET ATTACHED TO INTERNAL  
FACE OF THE BACK COVER.
3. HORIZONTAL ADJUSTMENT ~ ±6', VERTICAL ADJUSTMENT ~ ±4'
4. ALL FASTENERS ~ STAINLESS STEEL.
5. MODULES DEFINED IN CUSTOMER ORDER.  
I.E. LONG/MEDIUM RANGE, CLOSE UP POSITION

CONNECTION DIAGRAM

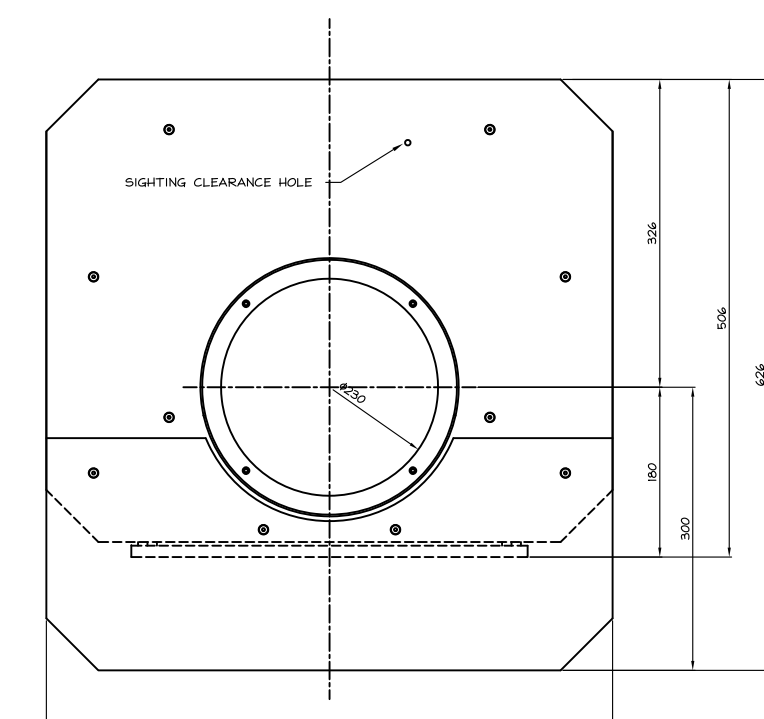
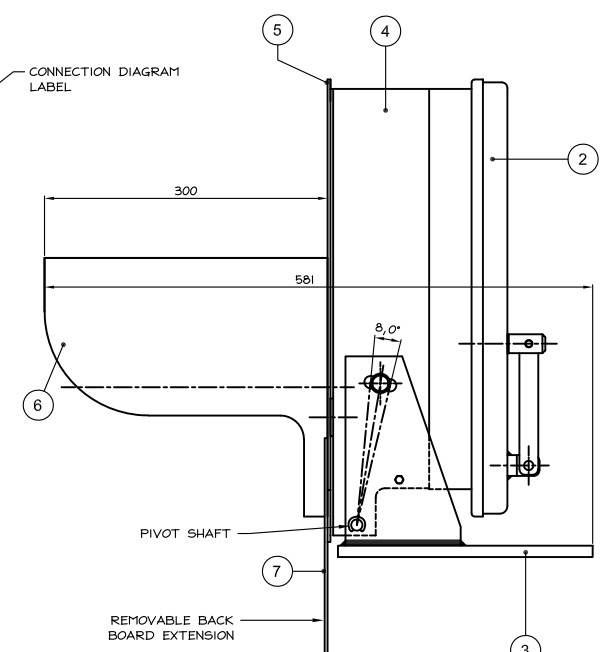
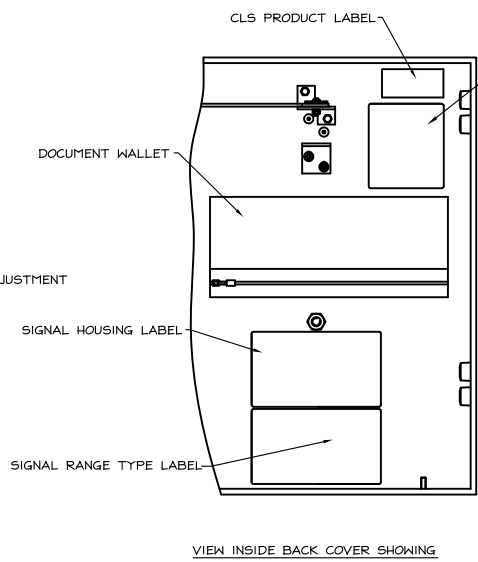
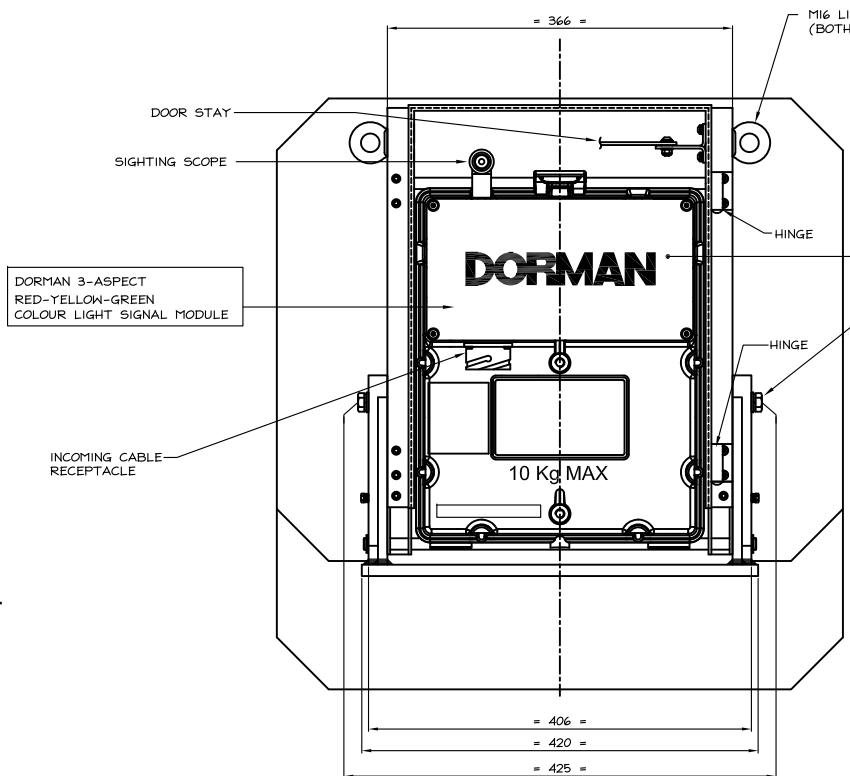


INCOMING IN LINE COUPLER TO BE ORDERED  
AS SEPARATE ITEM - DORMAN PART NO. D86.85186

INSTALLATION NOTE

THE FOLLOWING TOOLS ARE REQUIRED  
FOR TERMINATING THE INCOMING CABLES:  
(CABLE SIZE - 16 A.W.G.)  
HAND CRIMPING TOOL - REF AF8 (DORMAN PART NO. B20.19249)  
TURRET FOR CRIMPING TOOL - REF 616266 (DORMAN PART NO. B20.19250)  
INSERTION TOOL - REF 46736 (DORMAN PART NO. B20.19251)  
EXTRACTION TOOL - REF A43240 (DORMAN PART NO. B20.19252)  
(ABOVE REF NUMBERS TAKEN FROM ITT CATALOGUE)

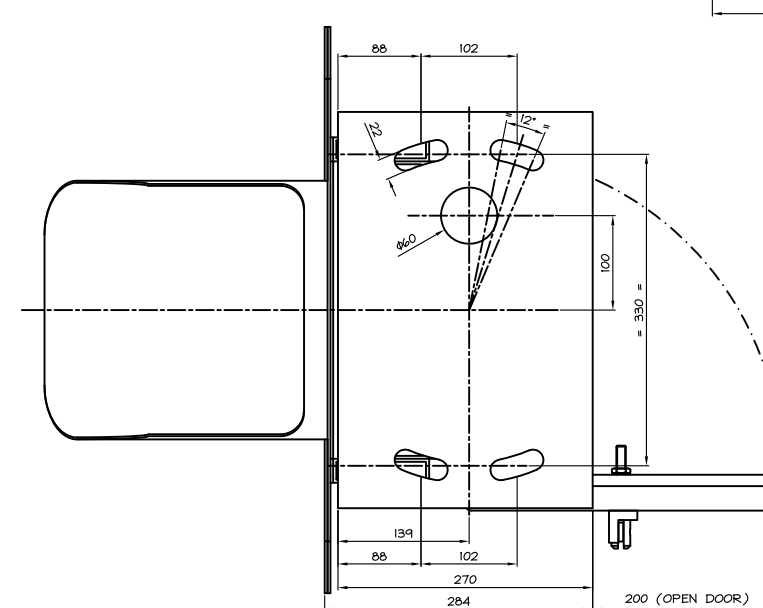
ITEM	QTY	PART N°	MATERIAL	DESCRIPTION
1	1	SEE NOTE 5	CAST ALUMINIUM ENCLOSURE	DORMAN 3-ASPECT RED-YELLOW-GREEN CLS MODULE (ITT CONN)
2	1	B20.19154	ALUMINIUM	DOOR
3	1	B20.19455	ALUMINIUM FABRICATION	MOUNTING PLATE
4	1	B20.19155	ALUMINIUM FABRICATION	1-LENS, 3-ASPECT FRAME
5	1	B20.19156	ALUMINIUM	BACK BOARD 1-APERTURE, 3-ASPECT FRAME
6	1	B20.19104	ALUMINIUM	VISOR
7	1	B20.19123	ALUMINIUM	BACK BOARD EXTENSION



VIEW ON REAR OF SIGNAL WITH  
BACK COVER REMOVED

VIEW INSIDE BACK COVER SHOWING  
LABEL PLACEMENT

DORMAN SIGNAL MOUNTS DIRECTLY  
TO INDICATOR SUPPORT FRAME  
(AN ADJUSTABLE MOUNTING PLATE  
IS NOT REQUIRED)



TOTAL ASSEMBLED SIGNAL MASS - 26Kg.  
MAXIMUM MASS OF MODULE - 10Kg.

APPROVED FOR MANUFACTURE?		SIGNATURE
YES	NO	
CIRCLE APPROPRIATE ABOVE ANSWER, SIGN OPPOSITE, AND RETURN TO UNIPART DORMAN TECHNICAL DEPARTMENT		PRINT
		POSITION
		DATE

0	09/01/17	MD	ORIGINAL ECN
ISS	DATE	INI	ALTERATIONS

**UNIPART DORMAN**

UNIPART DORMAN  
WENNINGTON ROAD, SOUTHPORT. PR9 7TN.

© Unipart Rail Limited 2017  
THIS DOCUMENT AND THE INFORMATION THEREIN IS CONFIDENTIAL AND MAY  
NOT BE USED OR DISCLOSED WITHOUT WRITTEN AUTHORIZATION  
DRAWING / PART No.  
EX2488

PART NUMBER BARCODE



\* E X 2 4 8 8 \*

DORMAN REF No.

CUSTOMER REF No.

ALL DIMENSIONS IN MM  
UNLESS OTHERWISE STATED  
DO NOT SCALE

3RD ANGLE PROJ

TITLE  
3 ASPECT COLOUR LIGHT SIGNAL GA (TORONTO)

MATERIAL

TOLERANCES

X	+ / -	0.25
X,0	+ / -	0.10
X,00	+ / -	0.05
X,000	+ / -	0.025
ANGULAR	+ / -	0.25°

PROJECT No.

101

DRAWN M DURHAM

CHECKED CP AUTH. PB

DATE 09/01/17

SCALE NTS

SHEET 1 OF 1 SHEETS

PROJECT No.

101

DRAWN M DURHAM

CHECKED CP AUTH. PB

DATE 09/01/17

SCALE NTS

SHEET 1 OF 1 SHEETS