

Assisted Lift Trunnion

by Unipart Dorman



Certificate of Acceptance: PA05/06503

Registered Design: 5000595/500596

As part of our continual drive to deliver world beating solutions to our rail customers, Unipart Dorman identified that the majority of signals being ordered were simple 3 and 4 aspect heads and strong customer feedback indicated a need to reduce the amount of support equipment required to install and maintain the signals.

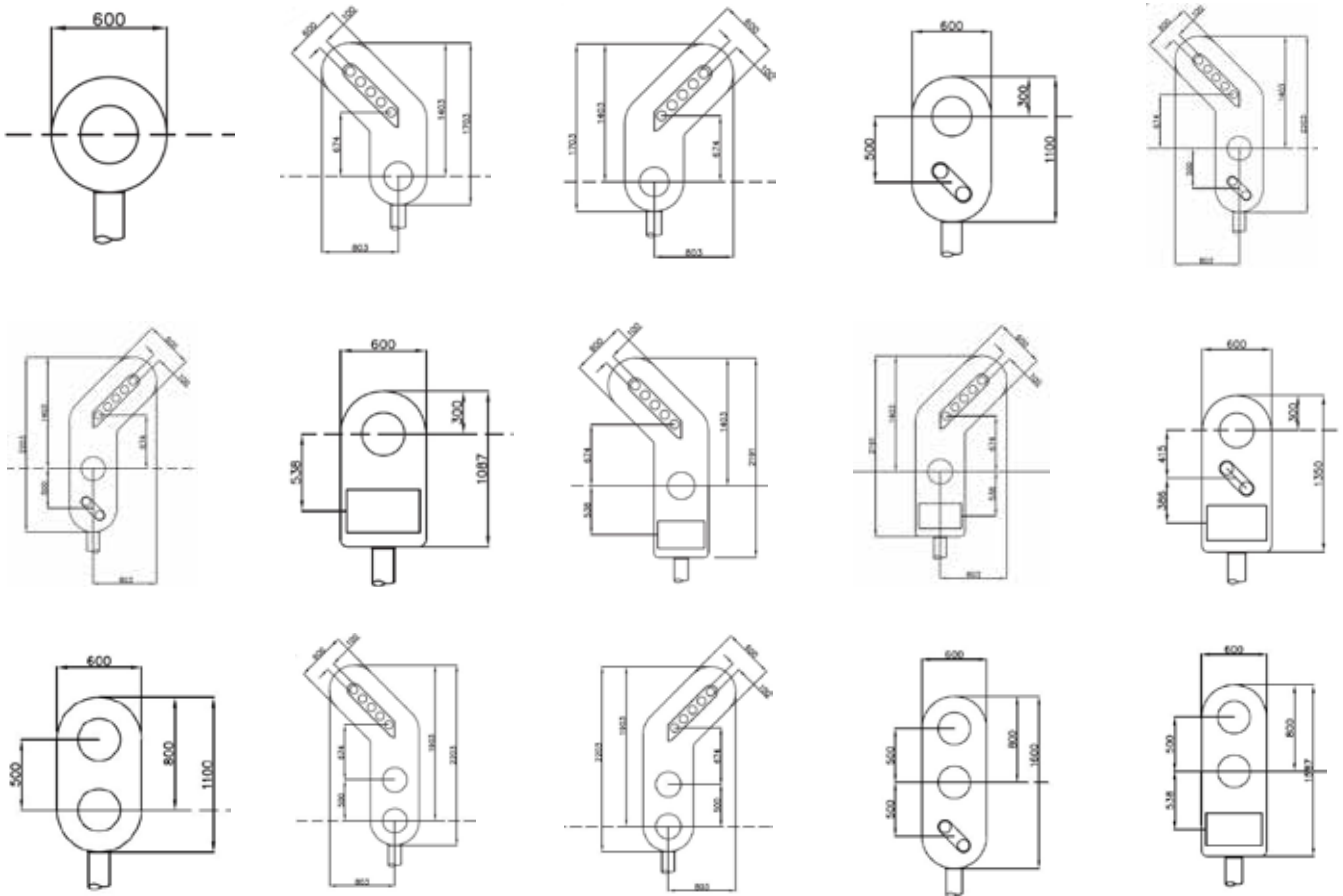
To increase worker safety and reduce installation time, Unipart Dorman has developed a new assisted lift trunnion which uses progressive rate spring technology to reduce the lifting force required as the post is moved from the horizontal to the vertical plane.

Features & Benefits

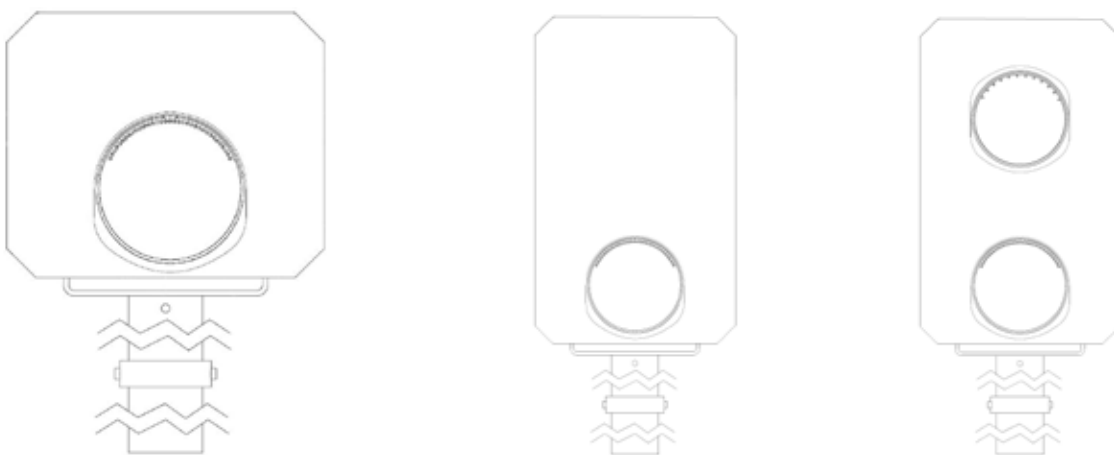
- Can be used for a wide range of signals including the Unipart Dorman Classic signal range, CLS LITE, Banner Repeaters, Route Indicators and Level Crossing Wig Wags
- Simplified installation using basic handtools
- Permanent lifting eye provided allows the use of a variety of readily available mechanical handling devices - no plant or large equipment required
- Complies with PAN/E/CE 0017 (Project Advice Note - Signal Structures - 'Form A Guidance for Loading and Performance') and is subject to its own generic F001, F002, and F003 submission
- Signal sighting is done from ground level, allowing the trunnion to be installed and sighted in advance of signal post and head delivery to site
- After sighting, the trunnion can be secured in the horizontal position for extended periods using the hold down pin secured with a standard padlock
- Adapter available to enable some types of classic signals to be mounted



Assisted Lift Trunnion iLS Head Types



Assisted Lift Trunnion CLS LITE Head Types



Assisted Lift Trunnion is approved for use with CCTV

to order the Assisted Lift Trunnion CCTV mounting bracket quote CAT No: **0094/019266**

About Unipart

The Unipart Group is a leading UK manufacturer, full service logistics provider and consultant in operational excellence. Operating across a range of market sectors, including automotive, manufacturing, mobile telecoms, rail, retail and technology, Unipart offers a breadth of services to a wide range of blue chip clients internationally.

Unipart Dorman

Wennington Road, Southport,
Merseyside, PR9 7TN

Tel: +44 (0) 1704 518000

Fax: +44 (0) 1704 518001

email: dorman.enquiries@unipartdorman.co.uk

www.unipartdorman.co.uk



Our products are distributed through Unipart Rail
Visit www.unipartrail.com for details