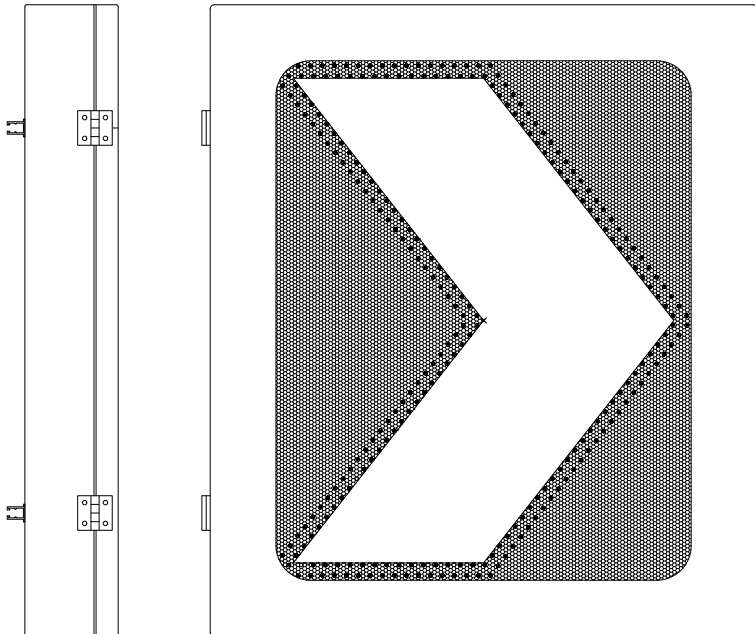

**Chevron W1-8L & W1-8R
CVWA-109D--DBSB
Installation Instructions**

To be read before commencing
Operation

DORMAN
VARITEXT

V_{EHICLE} A_{CTIVATED} T_{RAFFIC} C_{ALMING} S_{IGNS}



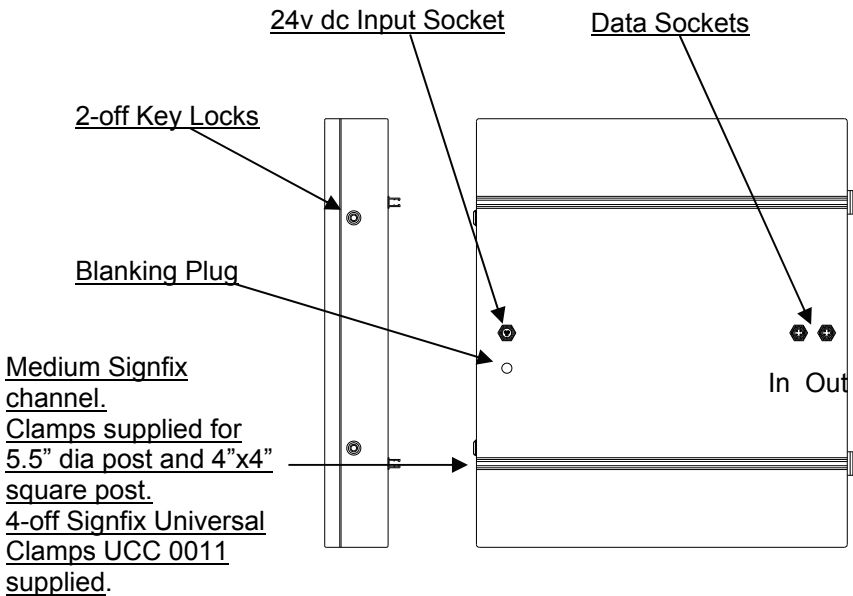
General.

In general before commencing any installation, all local safety requirements affecting the safe working environment of the installation either directly or indirectly should be carried out.

The sign should only be installed both electrically and mechanically, by staff deemed competent in these fields by their employer.

Any maintenance should be carried out in a clean & dry environment.

View on side and rear of case (W1-8R orientation)

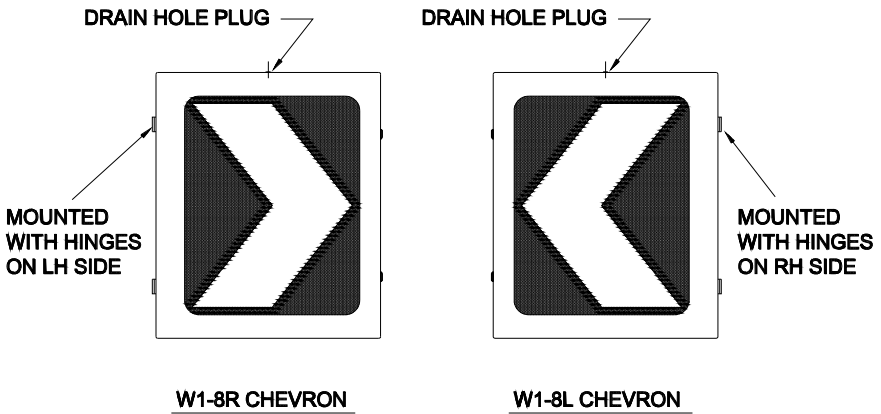


Note: A cable gland is supplied should a hard wired connection be required (as an alternative to using the 24v dc input socket). Mount the cable gland on the rear of the case by replacing the blanking plug adjacent to the 24v dc input socket.

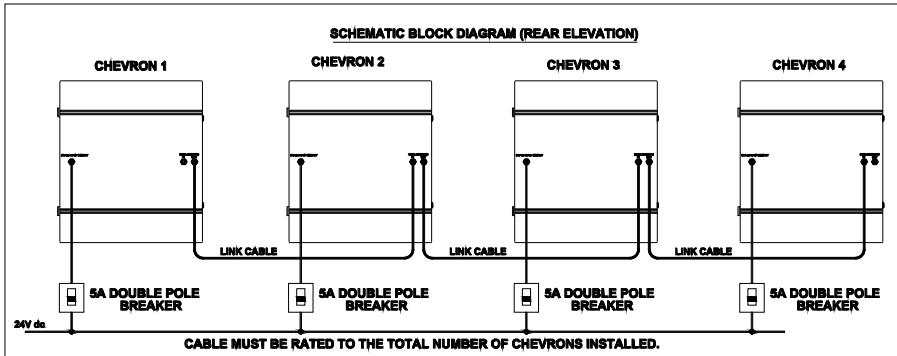
The existing cable from the input socket can be removed from the 'Power' terminal block at the bottom left hand side of the VATCS control PCB. Replace with the alternative power cable taking note of the polarity markings on the PCB.

Mounting arrangements.

The chevron can mounted in a W1-8R or a W1-8L orientation. In both of these arrangements the supplied drain hole plug must be fitted to the top of the case as shown in the diagram below.



Schematic block diagram

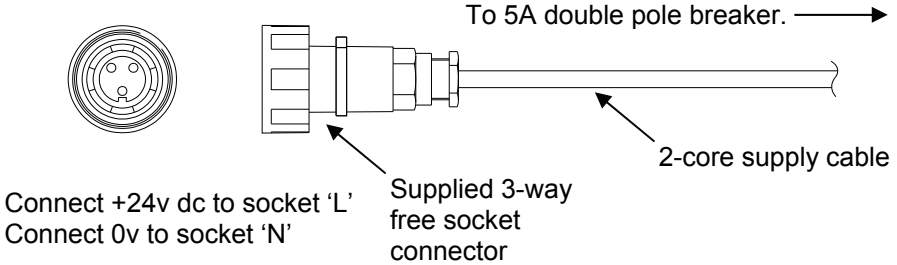


The Chevrons are linked together using link cable assemblies as specified on page 4.

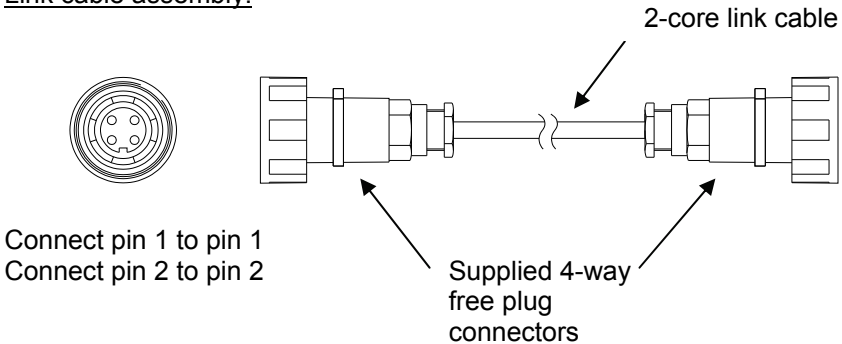
- Connect Chevron 1 'Data Out' to Chevron 2 'Data IN'
- Chevron 2 'Data Out' to Chevron 3 'Data IN'
- Chevron 3 'Data Out' to Chevron 4 'Data IN' etc

Cable to Connector Assembly

Supply cable assembly.



Link cable assembly.

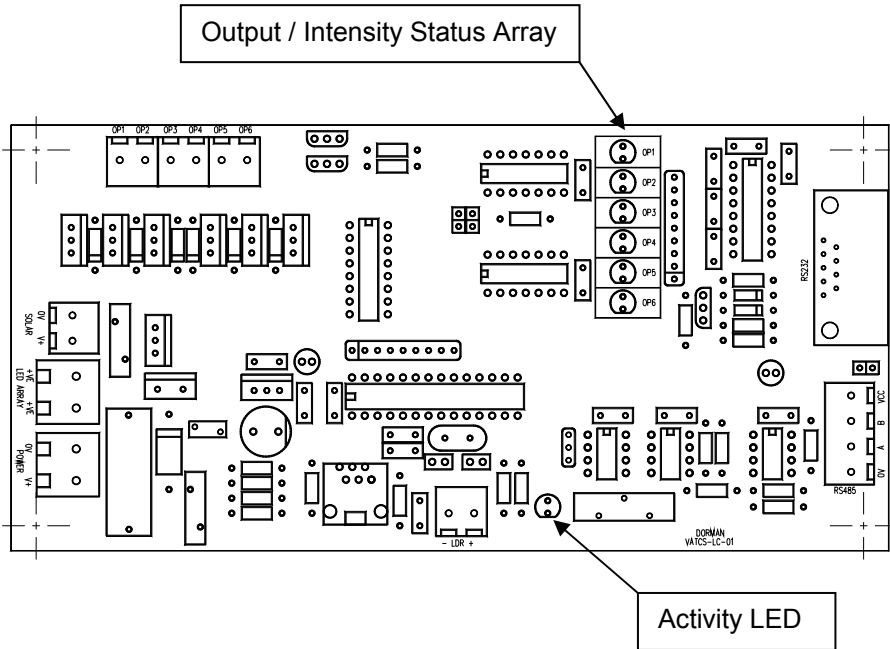


Cable Specifications and Cable connectors

- Supply cable: 2 core screened cable suitably rated for the 5 amp circuit breaker. A 3-way free socket is provided for case connection.
- Link Cable: 2 core screened 1mm² . 2-off 4-way free plug connectors are provided for case connection.

Diagnostic information.

Diagnostic information is provided by means of LED indication on the VATCS Control PCB mounted to the inside of the rear case. The Control PCB is shown below.



Activity LED

This LED provides indication that the software is running. Under correct operating conditions the LED will flash continually with a flash rate of 2Hz.

Output Status LED's (OP1 – OP4)

Under correct operating conditions these four LED's will be illuminated.

Intensity Status LED's (OP5 & OP6)

These two LED's give an indication of the intensity of the Chevron display LED's. The display LED's will vary between a day time (maximum) intensity and a night time (minimum) intensity with three intermediate stages.

The time to switch from day time to night time intensity (or vice versa) is approximately one minute.

Table 1 on the following page shows the display intensity status matrix.

OP5 LED state	OP6 LED state	Intensity of Chevron display LED's
Off	Off	Night time setting (minimum intensity)
On	Off	Increasing intensity stages.
Off	On	
On	On	
Flashing	Flashing	Day time setting (maximum intensity)

Table 1 Display Intensity Status Matrix

Notes:

- I. Each intensity step is imperceptible to the human eye.
- II. The Chevron will power up at the minimum intensity setting, ramping up to the maximum intensity in day time in approximately one minute.
- III. When all data links are connected between Chevrons the status codes will be identical on all units. i.e. All Chevrons will display at the same intensity level.
- IV. All Chevron signs are identical in operation. There is no 'master'.

Specifications.

Supply Voltage: 24v dc

Nominal Current
Day time conditions 700mA per individual chevron sign
Night time conditions 200mA per individual chevron sign

VATCS control PCB
On board fuse 20mm 3.15A Anti Surge

Replacement spare parts.

Case Assembly	D26.26053
VATCS Control PCB Assembly	D26.26061
PCB and Mask Assembly Chevron W1-8L & W1-8R	D26.26054
Drain Hole Plug	B09.09562
Cable Gland	B14.14345
3-way Free Socket Connector	B13.13726
4-way Free Plug Connector	B13.13548
Key	EMKA 1004-31
Signfix Universal Channel Clamp	B20.20117

DORMAN VARITEXT

Wennington Road, Southport. PR9 7TN. England
Tel: +44 (0)1704 518000 Fax: +44 (0)1704 518001
WEB SITE <http://www.dorman.co.uk>
E MAIL address - info@dorman.co.uk

173 Main Street, Bath, Ontario. K0H 1G0. Canada
Tel: 1 613 352 3458 Fax: 613 352 6845
WEB SITE <http://www.dormanvaritext.com>
E MAIL address – enquiry@dormanvaritext.com

Health and safety

Every effort has been made to ensure the accuracy of the information given in our publications, but in accordance with our policy of continually improving our products we reserve the right to modify designs and specifications whenever necessary. All equipment is designed to conform to relevant British and International standards. Every care is taken to ensure that, as far as reasonably practical, it will perform without risk to health. It is essential that accepted codes of professional practice are followed in the assembly, installation and commissioning of the equipment. If in doubt with respect to any of these instructions, please consult DORMAN before installing the device.

Dorman reserves the right to vary any component part to meet the required specifications without prior notice.



Certificate No. FM 14371

Dorman ref. No C64.64056 Issue x